

Certificate of Analysis

Product Name: Amyloid β -Protein (1-15)

Cat. No.: A1003

Batch No.: 1

Physical and Chemical Properties

Batch Molecular Formula: C₇₈H₁₀₇N₂₅O₂₇

Batch Molecular Weight: 1826.86

Purity: >98%

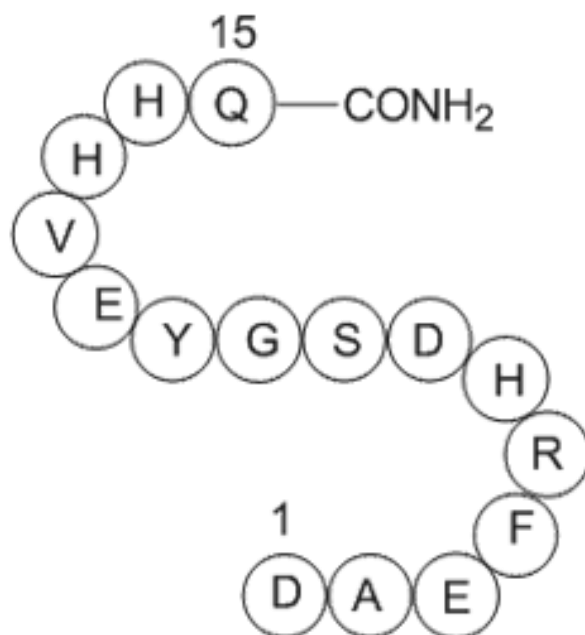
Cas No.: 183745-81-5

Analytical Data

HPLC: Shows Min 98% purity

Mass Spectrum: Consistent with structure

Structure



Caution

FOR RESEARCH PURPOSES ONLY.

NOT FOR HUMAN, VETERINARY DIAGNOSTIC OR THERAPEUTIC USE.

APEX BIO Technology

www.apexbt.com

7505 Fannin Street, Suite 410, Houston, TX 77054.

Tel: +1-832-696-8203 | Fax: +1-832-641-3177 | Email: info@apexbt.com